

BOMAG

FAYAT GROUP

Steel Wheel Roller

BW9ASW

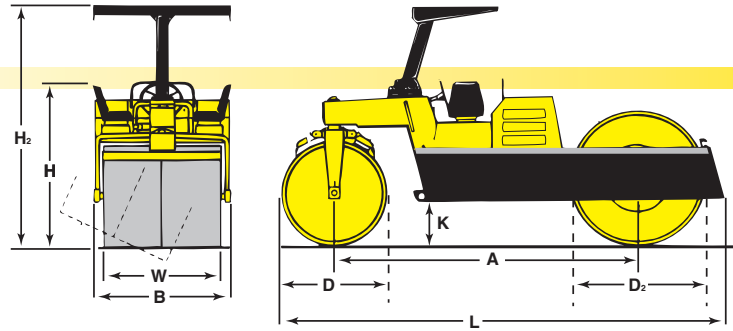


- Rugged, high-strength frame
- Two-speed transmission
- Corrosion-free water spray system
- Wide drum coverage
- Dual, center facing seats
- Hydrostatic drive
- No daily lubrication
- Low static linear load



Technical Specifications

BW9ASW



Dimensions
in inches (mm)
BW9ASW

A	B	D	D2	H	H2	K	L	W
132 (3353)	62.5 (1590)	40 (1016)	53 (1346)	74 (1880)	108 (2743)	16.5 (419)	183 (4648)	56 (1422)

Standard equipment

- Cummins 4B3.3TAA diesel engine
- Pressurized water spray system with flow control
- Horn
- Front and rear drum scrapers
- Full drum width cocoa mats
- Vandal guards
- Dual center-facing seats
- Full hydrostatic drive
- Hourmeter
- Indicator gauges for:
 - Fuel level
 - Transmission oil temperature
 - Engine oil pressure
 - Engine coolant temperature
 - Electrical system voltage
- ROPS/FOPS and seat belts

Optional equipment

- Headlights (front and rear)
- Turn signals and 4-way flashers
- Special paint, 1 color (Enamel only)

Technical data

Weights

Metal weight.....	lbs	(kg)	14080	(6387)
Guide roll/Drive roll.....	lbs	(kg)	5970/8110	(2708/3679)
Weight with ballast.....	lbs	(kg)	19320	(8763)
Guide roll/Drive roll.....	lbs	(kg)	8540/10780	(3874/4890)
Max. static linear load (ave).....	lbs/in	(kg/cm)	173	(30.8)
Guide roll/Drive roll.....	lbs/in	(kg/cm)	153/193	(27.2/34.3)

Dimensions

Track radius, inner.....	in	(mm)	142	(3607)
Height with FOPS/ROPS.....	in	(mm)	108	(2743)

Driving Characteristics

Speed (1).....	mph	(km/h)	0-5.1	(0-8.2)
Speed (2).....	mph	(km/h)	0-10.2	(0-16.4)

Drive

Engine manufacturer.....	Cummins			
Type.....	4B3.3TAA			
Cooling.....	water			
Number of cylinders.....	4			
Performance SAE, brake.....	hp	(kW)	84	(63)
Speed.....	rpm	(min ⁻¹)	2400	(2400)
Fuel.....	diesel			
Electric equipment.....	V	12		
Drive system.....	hydrostatic			
Driven drum.....	R			

Brakes

Service brake.....	hydrostatic
Secondary/Parking brake.....	SAHR

Steering

Steering system.....	automotive-type			
Steering method.....	hydraulic			
Steering angle +/-.....	degrees	(grad)	45	(45)
Oscillating angle straight +/-.....	degrees	(grad)	25	(25)
Oscillating angle full turn +/-.....	degrees	(grad)	10	(10)

Water Spray System

Type of spray system.....	pressurized
---------------------------	-------------

Capacities

Fuel.....	gal	(l)	30.2	(114)
Water.....	gal	(l)	170	(645)
Hydraulic oil reservoir.....	gal	(l)	15	(57)
Coolant system.....	gal	(l)	4	(15)

Technical modifications reserved. Machines may be shown with options.