

Single Drum Vibratory Roller

BW55E

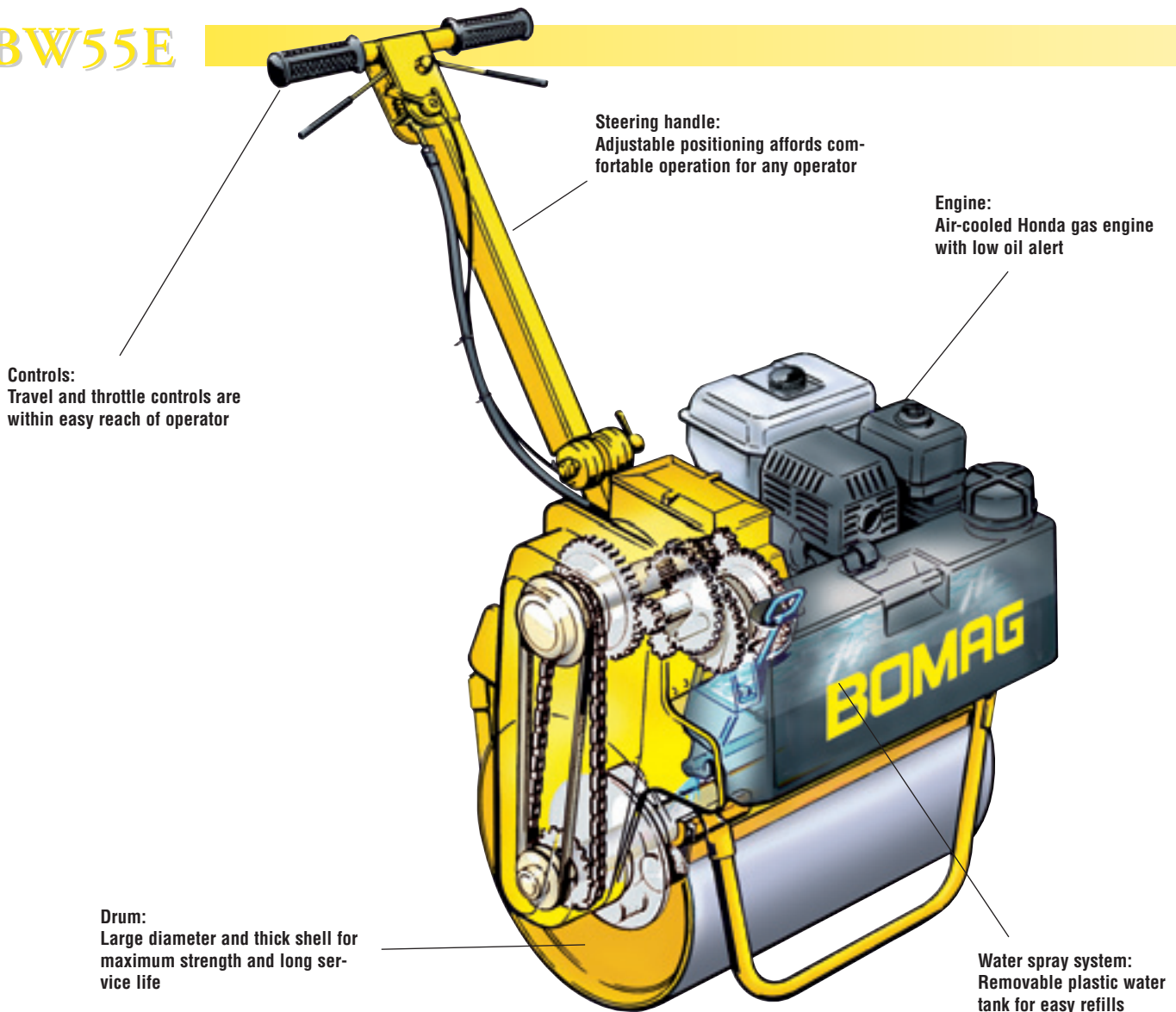


EARTHWORKS						
# passes	rolling speed (mph)	area coverage sq yd/hr	“productivity in cu yd/hr by lift thickness, 100% efficiency”			
			2 inches	4 inches	6 inches	8 inches
2	1	538	30	60	90	120
3	1	359	20	40	60	80
4	1	269	15	30	45	60
5	1	215	12	24	36	48

ASPHALTIC CONCRETE (material weight 140 lb/cu ft)						
# passes	rolling speed (mph)	area coverage sq yd/hr	“productivity in tons/hr by lift thickness, 100% efficiency”			
			1.5 inches	2 inches	2.5 inches	3 inches
2	1	538	42	57	71	85
3	1	359	28	38	47	57
4	1	269	21	28	35	42
5	1	215	17	23	28	34
6	1	179	14	19	24	28

Note: Repeat number of passes over the same area is required to achieve specified compaction efficiency/density. Successive passes over same area results in reduced area coverage and productivity. Rolling speed selected provides impact spacing of a minimum 10 impacts per foot at high vibration frequency setting. Actual compaction efficiency is determined by job conditions.

BW55E



■ *Offering the performance of our larger double drum rollers in a smaller package...*

The BW55E single drum roller has been designed for use on granular, mixed soils and bituminous materials. The high compaction performance, compact size and excellent maneuverability makes it the ideal machine for road repair; patching and various other confined space applications. When conventional double drum rollers are unsuitable due to their size, the BW55E can be counted on to complete the job. This single drum vibratory roller has repeatedly proven its value in the field by consistently producing high compaction results under the most challenging conditions.

■ Applications:

- Walkways, bicycle and cart paths
- Road rehabilitation and patching
- Driveways



Single drum design delivers optimum maneuverability for patch work.

Featuring...



Fingertip control of forward/reverse travel directions

*Achieve optimum compaction results
with this compact, versatile roller*

■ Handling is Easier & Safer:

- Ease of operation through positioning of travel and vibration control levers ensures a high degree of user friendliness.
- The steering handle is fully adjustable to match the operator's height.
- The narrow lateral overhang ensures maximum compaction right up to walls and curbs.
- The large diameter drum ensures high surface quality when working on asphalt and minimizes scuffing and tearing.
- Large water tank provides extended periods between refills; removable design simplifies filling.
- Ergonomic positioning of the controls together with the height adjustable steering handle makes handling easier for the operator.
- The drum is fitted with two scrapers to reduce material pick-up.
- The BW 55 E Honda engine is powerful and reliable.

■ Less Service & Maintenance:

- Thick drum shell provides maximum strength and long service life.
- The plastic water tank ensures that there are no problems due to corrosion.
- Life-time lubricated bearings are maintenance-free.
- The multi-disc oil bath clutch is adjustable and has a long life.
- The simple mechanical construction of the machine allows virtually maintenance-free operation.
- Honda gas engine will automatically shut off if engine oil is too low, preventing costly repairs.
- Efficient low-maintenance drive system ensures minimal operating costs.



The large drum diameter produces high quality finish.



Large capacity, removable water tank provides extended periods between refills

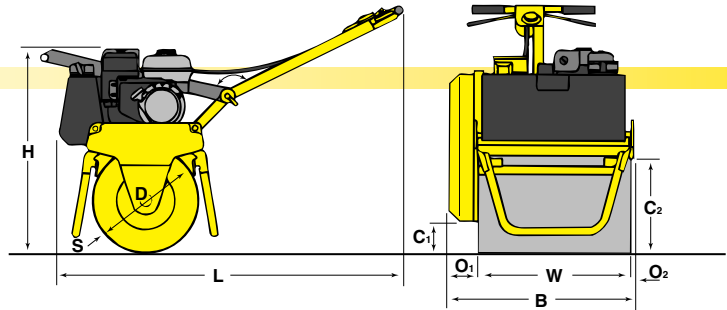


The BW55E is equipped with the 3.0 hp Honda engine

With these features and many more, it's easy to see why this model maintains a high residual value while delivering lower lifetime operating costs.

Technical Specifications

BW55E



Shipping dimensions in cubic feet (m³)

BW55E 23.7 (0.7)

Standard Equipment

- Vibration drive via centrifugal clutch
- Water sprinkler system
- Removable water tank
- Fold-over steering handle
- Scrapers front and rear
- Support bars front and rear
- Honda engine with oil alert

Optional Equipment

- Parking brake
- Special paint

Dimensions in inches (mm)

	B	C ₁	C ₂	D	H	L	O ₁	O ₂	S	W
BW55E	26.7 (678)	4.9 (125)	13 (330)	15.7 (400)	35.4 (900)	43.3 (1100)	3.9 (100)	0.71 (18)	0.2 (5)	22 (560)

Technical data

Weights

	lbs	(kg)
Basic Weight	333	(151)
Operating Weight CECE	355	(161)
Static linear load CECE	16.2	(2.9)

Dimensions

Working width	in	(mm)	22	(560)
Dimensions	see sketch			

Driving Characteristics (depending on site conditions)

Speed (1), forward/reverse	mph	(kmph)	0-0.7	(0-1.1)
Speed (2), forward/reverse	mph	(kmph)	0-1	(0-1.6)
Max. gradeability without/with vibration	%		25/20	

Drive

Engine manufacturer	Honda		
Type	GX 120 K1		
Cooling	Air		
Number of cylinders	1		
Performance ISO 9249 (max)	hp	(kW)	3.0 (2.2)
Speed (max)	rpm		2750
Performance SAE J1349 (max)	hp	(kW)	3.0 (2.2)
Speed (max)	rpm		2750
Fuel	gasoline		
Starting device	recoil		
Drive System	mechanical		

Vibratory system

Drive system	mechanical		
Frequency	vpm	(Hz)	4620 (77)
Amplitude	in	(mm)	0.02 (0.5)
Centrifugal force	lbs	(kN)	2250 (10)

Sprinkler system

Type of sprinkler	gravity
-------------------------	---------

Capacities

Fuel	gal	(l)	0.7	(2.5)
Water	gal	(l)	4.2	(16)
Engine oil	gal	(l)	0.2	(0.6)

Technical modifications reserved. Machines may be shown with options.